

SPECIFICATIONS

TYPE	20x50	30x50	30x50WA
Objective Lens, mm	50	50	50
Magnification	20	30	30
Field of view m/ft @ 1000 m/yds	54/177	31/101	40/131
Length, mm/in	370/14.4	370/14.4	370/14.4
Weight, kg/oz	0.45/16	0.45/16	0.45/16

INSTRUCTIONS

These instructions will help familiarize you with the Yukon® Scout Spotting Scope product line. All scopes of this series are designed to provide high magnification, compactness, lightweight and comfortable handling. All scopes are equipped with a 1/4" tripod mounting socket.

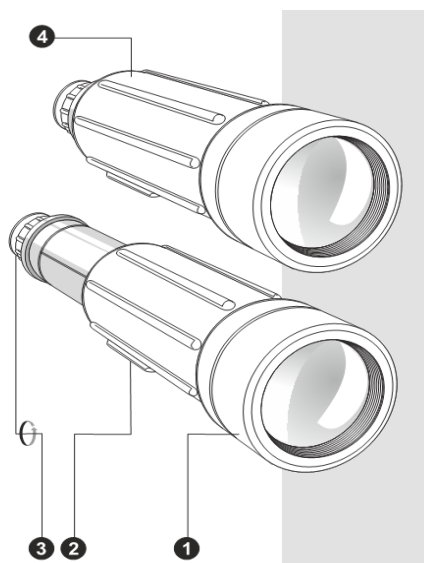
Scout 20x50 is a compact model with lower magnification and does not require a tripod under most viewing conditions.

Scout 30x50 features high 30x magnification and can be used for observation of distant objects when either hand held or when using a tripod. The stability provided by a tripod will deliver a better image.

Scout 30x50 WA (Wide Angle) features special wide-angle optics, providing a 30% increase in a field of view. As with the standard Scout 30x50, a tripod will assist in providing a better viewing image.

FOCUSING

1. Remove the scope from the carrying case.
2. Remove protective lens caps (1),(3).
3. To prepare your scope for viewing first make sure it is fully extended.
Place one hand on the body of the scope (4) and pull gently on the eyepiece (3).
4. Adjust eyepiece (3) until the image to be viewed comes into focus.
5. A tripod may be attached by using the tripod mounting socket (2).



CARE AND MAINTENANCE

1. Your Scout scope is designed to be durable and maintenance free. Clean the rubber-coated body with a cloth rag using a small amount of rubber protectant.
2. When cleaning the optics use a light coating of lens cleaning solution on a cotton cloth. Do not pour lens cleaner on the lens itself.
3. Condensation on the lens may occur when bringing the scope in from the cold. This is common and within one hour this condition should disappear.
4. Do not submerge the scope into water, as it is water-resistant but not waterproof.

Warning! Never observe the sun either directly or with the optical device.

WARRANTY

The Manufacturer warrants its products against defects in materials and workmanship for a period of 3 years from the original date of a purchase. Any device returned for warranty service must be judged by the Manufacturer as having been used according to its original design intents. As such, misuse, neglect, or any abnormal use is not covered by this warranty. The Manufacturer will repair or replace products or parts thereof, which, upon inspection by the Manufacturer, are found to be defective in either materials or workmanship. As a condition of the Manufacturer's obligation regarding warranty work, the product must be returned to the Manufacturer with a satisfactory proof of a purchase. It is highly recommended that you fill out and return your warranty registration card to ensure the warranty coverage. This warranty is null and void if equipment has been altered, tampered with, modified, or otherwise abused, mishandled, or subjected to unauthorized repairs. The Manufacturer disclaims any other warranties, either expressed or implied, except as expressed herein. The sole obligation of the Manufacturer is to repair or replace the covered device.