

SPECIFICATIONS

Model	27043
Output signal standard	PAL or NTSC*
Operating voltage, V	5,5-13
Focus of the objective lens, mm	8
Objective's relative aperture	1:1.2
Input current, mA	65-85
Camera resolution, lines	625
Built-in monitor's resolution, TV Lines	≥420
Camera resolution, pixels HxV	512x492 (NTSC) / 500x582 (PAL)
Dimensions, mm/inch	57x63x44 / 2.2x2.4x1.7
Weight, g/oz	50 / 1.7
Compatible devices	Yukon/Sibir 20-50x50, 16-32x50; Yukon 6-100x100/6-100x100LTS; NVMT: Exelon 3x50; NV 5x60, NVMT Spartan

* Depending on the region of sale.

PACKAGE CONTENTS

- Yukon ATC Video Attachment
- Power Supply Unit with a case
- Tripod
- Tripod Adapter
- Spiral Cord
- NVMT Eyepiece Adapter
- Yukon/Sibir 20-50x50 Eyepiece Adapter

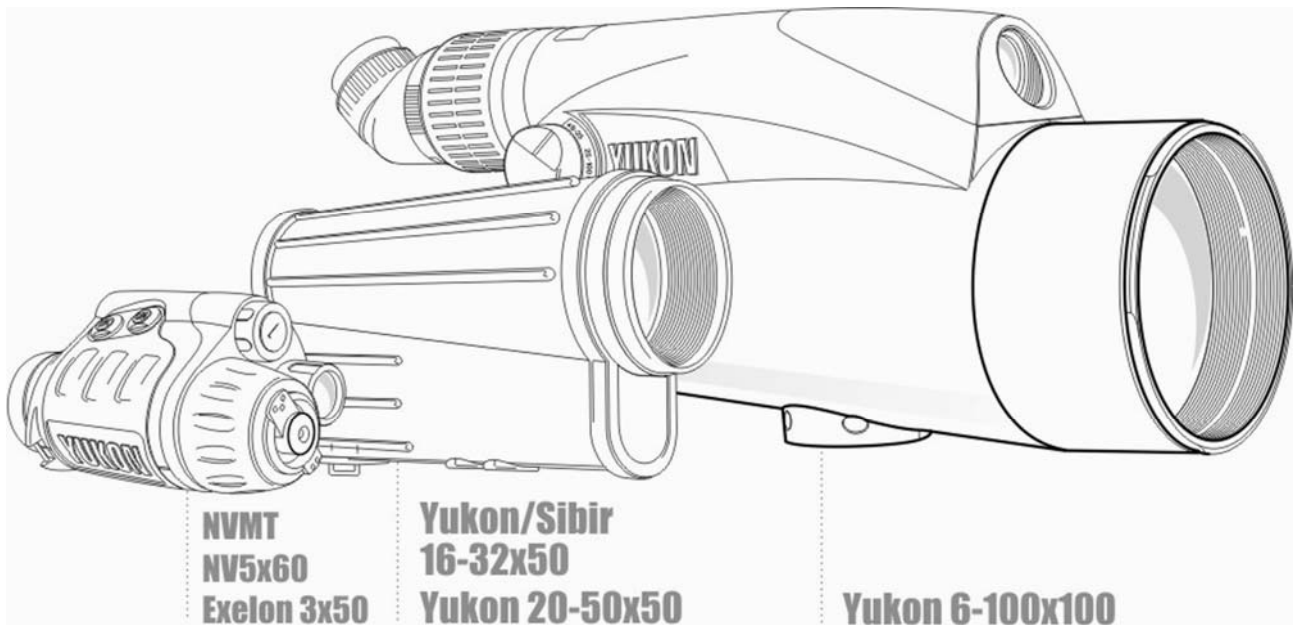
- Yukon 6-100x100 Eyepiece Adapter*
- User Manual
- Carrying Case

* Video attachment comes affixed with a Yukon 6-100x100 eyepiece adapter.

For improvement purposes, design of this product is subject to change.

OPERATING MANUAL

The **YUKON ATC Video Attachment** is designed for long-distance observation and image recording via the Yukon/Sibir 20-50x50, 16-32x50 and Yukon 6-100x100/6-100x100LTS spotting scopes, NVMT, NV 5x60, Exelon 3x50, NVMT Spartan night vision devices.



The **YUKON ATC Video Attachment** is designed for:

- Night/day observation and video recording.
- Observation and recording of target shooting.
- Other applications that require long-time stationary surveillance and recording of remote objects.

FEATURES

- Video attachment can be used either with spotting scopes and night vision devices or independently.
- Ability to record video signals using various recording devices with analog input (videorecorders, camcoders etc.) and to transmit them to external devices (TV sets, monitors etc).
- Fine quality videos.

Read the present manual carefully before using the YUKON ATC Video Attachment!

USE OF THE YUKON ATC VIDEO ATTACHMENT

Instructions for independent use of the Video Attachment:

- Place the tripod (1) on a stable surface; affix the tripod adapter (3) to tripod with a tripod screw (2) (see picture).
- Secure the video attachment (4) on the front lath of the tripod adapter (3).
- Connect the plug (5) of the spiral cord (6) to the jack of the video attachment (7).
- Insert the red plug (8) of the spiral cord (6) to the jack (9) of the power supply cord (10).
- Insert the yellow plug (11) of the spiral cord (6) into the "AV in" jack (12) of the recording device or external device.
- Insert four AA batteries in the power supply observing polarity.
- Turn on the power supply unit by sliding the selector to the "on" position (13).
- The power supply unit can then be hung on the tripod.
- The Video Attachment is now ready to record/transmit the signal.

Note: Use tripod adjustments to find the most suitable observation position.

Instructions for the use of the Video Attachment with the Yukon/Sibir 20-50x50, 16-32x50 spotting scopes, NVMT, Exelon 3x50, NV 5x60, NVMT Spartan night vision devices:

- Place the optical device on the tripod and focus on chosen object of observation.
- Remove the 6-100x100 Eyepiece Adapter (14) - unscrew, clockwise, the video attachment ring (15) and remove the eyepiece adapter. Install the Yukon/Sibir 20-50x50, 16-32x50 Eyepiece Adapter (16) or the NVMT Eyepiece Adapter (17) and screw the ring counterclockwise.
- Place the video attachment with the eyepiece adapter affixed onto the eyepiece of the optical unit. The triangular mark on the video attachment should be aiming upwards.
- Connect the plug (5) of the spiral cord (6) to the jack of the video attachment (7).
- Insert the red plug (8) of the spiral cord (6) to the jack (9) of the power supply cord (10).
- Insert the yellow plug (11) of the spiral cord (6) into the "AV in" jack (12) of the recording device or external device.
- Insert in the power supply four AA batteries observing polarity.
- Turn on the power supply unit by sliding the selector to the "ON" position (13).
- Adjust for the best image quality on the display of the recording device by turning the eyepiece with the affixed video attachment.

